

Wall Mount Bracket

WB120 is a wall mount bracket for use with a wall mount bracket allowing VPD PTZ series, VDA series camera to be mounted on a round pole.

Applied Camera models;

VPD1XX series

VDA14X series

Part configuration;

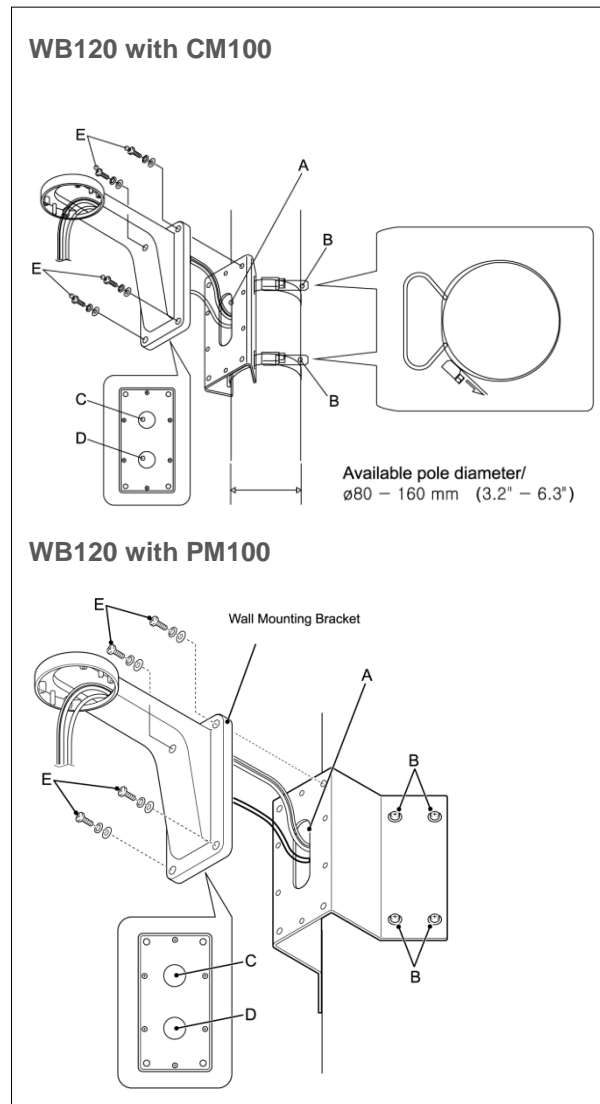
Model No.	WB-120
Body Construction	Aluminum
Mounting type	Wall
Measurement (mm)	191(W)x153(H)x268.5(D)
Weight(Approx. g)	1,400g

CM100 : Corner Mount Adapter

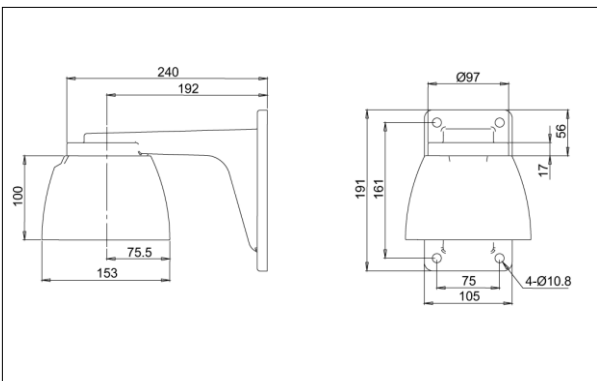
PM100 : Pole Mount Adapter



Product image



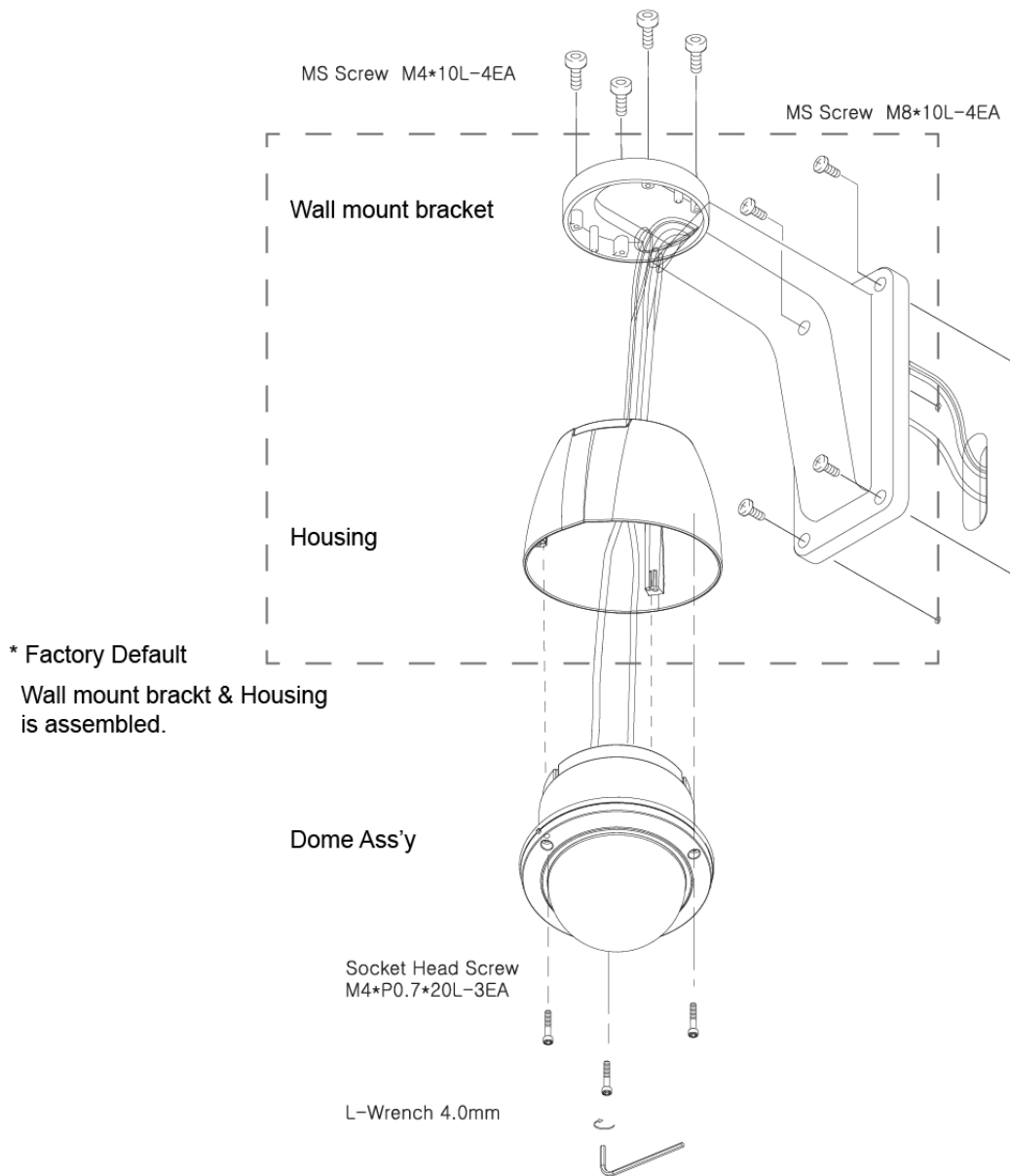
Dimension (mm)



Installation

WB120

Wall mount bracket



Steps

- ① Fix a Wall Mount Bracket with MS Screw M8*10L after pulling out cables for Video, Controller & Power through the hole on the bracket.
- ② Connect an Outdoor Dome Cover to the Wall Mount Bracket with MS Screw M4*10L.
- ③ Connect the cables for Video, Controller & Power to the terminals on the camera.
- ④ Fix a Flush Mount Dome kit to Outdoor Dome Cover for the Wall mount bracket by using M4 Fixed Screws with L-Wrench.

TMI-150207