

# VPD202PM2Ti-IR

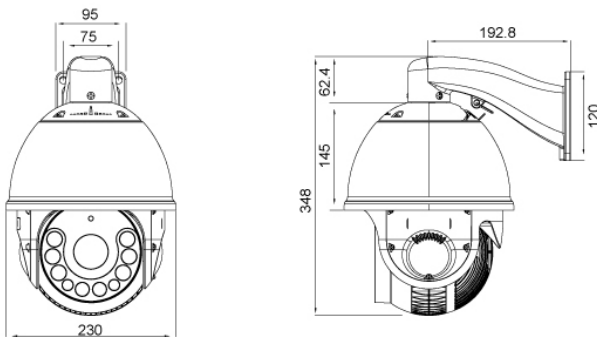
IR Night Vision High Speed PTZ / Robust All Die-casting housing / 20x Auto Focus (f4.7~94mm) Total 240x Zoom (12x Digital Zoom)



## Key Features

- 2 Megapixel Full HD.
- Robust All Die-casting housing
- Built-in Fan/Heater
- 20x Auto Focus (f4.7~94mm), Total 240x Zoom (12x Digital Zoom)
- 150M IR Distance
- WDR (x128)
- H.264: 30fps / 1080p, MJPEG: 30fps/VGA
- Integrated motion detection with pre- and post alarm image/video buffering
- Full Duplex two way Audio support
- Supports CBR(constant bit rate) and VBR (variable bit rate) modes
- 12VDC-5A
- Conformant with ONVIF Profile-S
- Includes Windows based IP Installer
- IP66

## Dimensions (Unit :mm)



## Full HD 2 Megapixel 20x IR PTZ Camera

### Specifications

MODEL	VPD202PM2Ti-IR
<b>System</b>	
CPU	32-bit ARM9 RISC CPU up to 432MHz
Flash	128 Mbyte
SDRAM	128 Mbyte
<b>Camera</b>	
Image sensor	1/2.8" SONY Progressive scan CMOS;
Lens	20x AF zoom ( f4.7~94mm (F1.6~F3.5))
Noise Reduction	2D+3DNR
Min. Illumination	0 Lux with IR
IR Distance	150M
Optical/Digital zoom	Optical 20x; Digital: 12x
Day & Night	True Day/Night (ICR)
Shutter Speed	1/30(25)~1/60,000 sec
WDR/BLC	OFF/WDR/BLC
White Balance	Auto/ Manual (Red, Blue Gain Adjustable); Auto/ One push/ Manual (R,B Gain)/ Indoor/ Outdoor
Pan / Tilt	Pan:360 Endless (200 deg/sec);Tilt: -5~180 deg (Auto flip) (200 deg/sec)
<b>Video</b>	
Video compression	H.264 High Profile, Motion JPEG
Resolutions	Up to 1920 x 1080 (Full HD)
Frame rate	H.264 Up to 30fps with 1920x1080; MJPEG Up to 30fps with VGA resolution.
Video streaming	Support multi stream with H.264,MJPEG Dual; H.264 + H.264 + MJPEG Triple; Adjustable frame rate; VBR/CBR in H.264.
Image setting	Gain Control: Auto/ Manual (-3 ~28dB); Shutter Control: Auto/ Manual (1/30 ~ 1/60,000 sec); AE Mode: Auto, Manual, Shutter Priority, Iris Priority; Effect - Color, Sharpness, Mirror/ V-Flip, etc; Privacy Mask
Output	BNC x1, 1.0Vp-p, 75 ohm Composite Video, NTSC/PAL
<b>Audio &amp; Alarm (Optional)</b>	
Audio Streaming	Two Way, Full duplex; Compression: G.711 – 8KHz
Audio Input	Microphone input /1 x Line-In(Mono)
Audio Output	Line output/ 1 x Line-Out (Mono)
Data rate	64kbps
<b>System Integration</b>	
Security	Password Protection, User access log, HTTPS encryption
Supported protocol	HTTP, HTTPS, FTP, SMTP, UPnP, DNS, DDNS, NTP, RTSP, RTP, TCP, UDP, ICMP, DHCP
Intelligent video	Motion detection up to 1920x1080 with 4x3 blocks
Alarm events	File upload via ftp, E-mail, Notification via email, FTP and TCP
Video buffer	16MB pre-alarm and post-alarm
Recording	Save to MicroSD card with event mode and continuous mode
<b>Physical</b>	
Power Source	DC12V/5A,
Reset Button	1 x Factory Reset Button
Power Consumption	Max. 52W
Net Weight	Ceiling: 4,900g / Wall: 5,100g
LED's	Network Connection
Dimension	Ceiling: 230 x 348 / Wall: 300(Ø)x309
<b>General</b>	
Operating Temperature	- 10 degree~50 degree Celsius (14F~122F)
Storage Temperature	- 20 degree~60 degree Celsius (-4F~140F)

Made in Korea