

VPD200PM2Ti

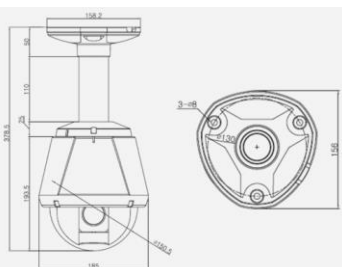
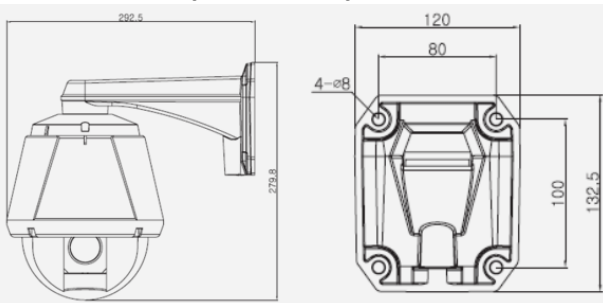
2 Megapixel - Full HD x20 High Speed PTZ Camera
2 Megapixel / 20x Auto Focus (f4.7~94mm) / 32x Digital Zoom / Defog / WDR



Key Features

- 2 Megapixel 1/2.8" SONY progressive scan CMOS image sensor for excellent image quality (Exmor).
- 20x Auto Focus (f4.7~94mm)
- 32x Digital Zoom.
- WDR, Defog.
- PTZ
- H.264: 30fps / 1080p, M.JPEG: 30fps/VGA
- 12VDC-5A / PoE (IEEE802.3af)
- Conformant with ONVIF Profile-S
- Includes Windows based IP Installer
- IP66

Dimensions (Unit :mm)



PTZ High Speed Dome IP Camera

Specifications

MODEL	VPD200PM2Ti
System	
CPU	32-bit ARM9 RISC CPU up to 432MHz
Flash	128 Mbyte
SDRAM	128 Mbyte
Camera	
Image sensor	1/2.8" 2.1M SONY Progressive scan CMOS
Lens	20x AF zoom (f4.7~94mm (F1.6~F3.5))
Light sensitivity (Lux)	[B/W] ICR off: 0.1Lux, ICR on: 0.001Lux
Noise Reduction	(2D+3DNR) Auto/ Off/ Low/ Middle/ High
Min. Illumination	[Color] ICR off: 0.5Lux, ICR on: 0.02Lux
Zoom Ratio	Optical x20, Digital x32 Zoom
Day & Night	Auto/Day/Night.
AE Mode	Auto, Manual, Bright, Shutter Priority, Iris Priority,
GAIN Control	Auto/Manual
Shutter Speed	1/30(25)~1/60,000 sec
WDR/BLC	OFF/WDR/BLC
White Balance	Auto/One Push/Manual/Indoor/Outdoor
Pan / Tilt	Tilt: 0~90 deg (400 deg/sec);Pan: 360 Endless (400 deg/sec)
Video	
Video compression	H.264 High Profile, Motion JPEG
Resolutions	Up to 1920 x 1080 (Full HD)
Frame rate	H.264 Up to 30fps with 1920x1080; MJPEG Up to 30fps with VGA resolution.
Video streaming	Support multi stream with H.264,MJPEG Dual; H.264 + H.264 + MJPEG Triple; Adjustable frame rate; VBR/CBR in H.264.
Image setting	Effect-Color, Sharpness, Day & Night; Auto White Balance; Auto Exposure; Privacy Mask; Mirror/V-Flip, etc.
Output	BNC x1, 1.0Vp-p, 75 ohm Composite Video, NTSC/PAL
Audio & Alarm (Optional)	
Audio Streaming	Two Way, Full duplex; Compression: G.711
Audio Input	Microphone input /1 x Line-In(Mono)
Audio Output	Line output/ 1 x Line-Out (Mono)
System Integration	
Security	Password Protection, User access log, HTTPS encryption
Supported protocol	HTTP, HTTPS, FTP, SMTP, UPnP, DNS, DDNS, NTP, RTSP, RTP, TCP, UDP, ICMP, DHCP
Intelligent video	Motion detection up to 1920x1080 with 4x3 blocks
Alarm events	File upload via ftp, E-mail, Notification via email, FTP and TCP
Video buffer	16MB pre-alarm and post-alarm
Recording	Save to MicroSD card with event mode and continuous mode
Firmware upgrade	Remote upgrade via network
API	CGI Interface document, ActiveX Interface(ocx(dll) + document)
Physical	
Power Source	DC12V/5A, High PoE (PoE+) 802.3at (Optional)
Reset Button	1 x Factory Reset Button
Power Consumption	Max. 36W
Net Weight	Ceiling: 3,200g / Wall: 3,400 g
LED's	Network Connection
Dimension	Ceiling: 200(ø) x 407.8 / Wall: 300(ø)x309
General	
Operating Temperature	- 25 degree~50 degree Celsius (-13F~122F)
Storage Temperature	- 25 degree~60 degree Celsius (-13F~140F)

Made in Korea