

VPD101PM2Ti

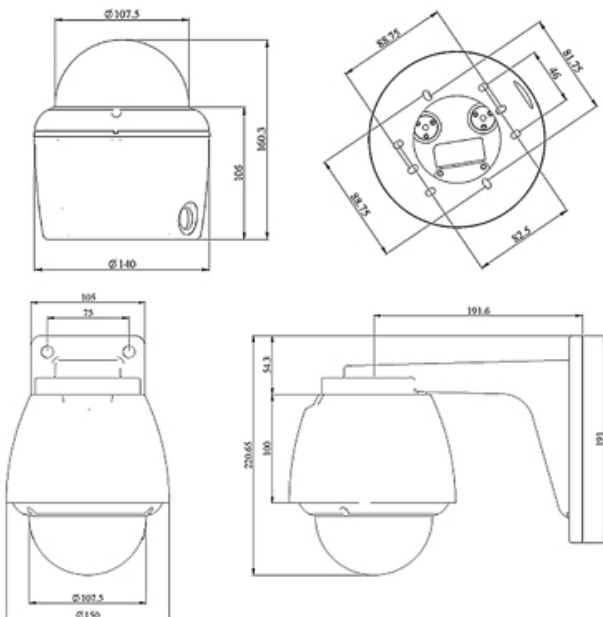
2 Megapixel - 10x Mini Speed Dom IP Camera



Key Features

- 2 Megapixel 1/2.8" SONY progressive scan CMOS image sensor for excellent image quality (Exmor).
- 10x Auto Focus Optical Zoom.
- 32x Digital Zoom.
- Supports WDR, Defog, 2D/3DNR(Digital Noise Reduction).
- 360 degree endless panning.
- H.264: 30fps/1080p, M.JPEG: 30fps/VGA
- WDR ON : 15fps/1080p, 15fps/VGA
- 12VDC/PoE (IEEE802.3af) Supported (or FAN/Heater Supported) Self-assembly.
- Conformant with ONVIF Profile-S
- Includes Windows based IP Installer
- IP66

Dimensions (Unit :mm)



IP Camera Mini Speed Dome

Specifications

MODEL	VPD101PM2Ti
System	
CPU	32-bit ARM9 RISC CPU up to 432MHz
Flash	128 Mbyte
SDRAM	128 Mbyte
Camera	
Image sensor	2.0 Megapixel 1/2.86" Panasonic CMOS sensor
Total Pixels	1,956(H) x 1,266(V) 2.4 Megapixel
Effective Pixels	1,944(H) x 1,212(V) 2.3 Megapixel
S/N Ratio	More than 50dB
Min. Illumination	Color: 0.5 Lux, B/W: 0.1 Lux, Color DSS: 0.002 Lux, B/W DSS: 0.001 Lux.
Zoom Ratio	Optical x10, Digital x32 Zoom
Day & Night	Auto/Day/Night.
Focal Length	F= 5.1mm ~ 51mm.
AGC	Off/On
Shutter Speed	1/30(25)~1/60,000 sec
WDR/BLC	OFF/WDR/BLC
White Balance	Auto/One Push/Manual/Indoor/Outdoor
DNR	Auto/Off/Low/Middle/High
Pan / Tilt	Tilt: ~3~180 deg (300 deg/sec)
Video	
Video compression	H.264 High Profile, Motion JPEG
Resolutions	Up to 1920 x 1080 (Full HD)
Frame rate	H.264 Up to 30fps with 1920x1080, MJPEG Up to 30fps with VGA resolution.
Video streaming	Support multi stream with H.264,MJPEG Dual; H.264 + H.264 + MJPEG Triple; Adjustable frame rate; VBR/CBR in H.264.
Image setting	Effect-Color, Sharpness, Day & Night Auto White Balance; Auto Exposure; Privacy Mask; Mirror/V-Flip, etc.
Audio & Alarm (Optional)	
Audio Streaming	Two Way, Full duplex
Audio Input	Microphone input /1 x Line-In(Mono)
Audio Output	Line output/ 1 x Line-Out (Mono)
System Integration	
Security	Password Protection, User access log, HTTPS encryption
Supported protocol	HTTP, HTTPS, FTP, SMTP, UPnP, DNS, DDNS, NTP, RTSP, RTP, TCP, UDP, ICMP, DHCP
Intelligent video	Motion detection up to 1920x1080 with 4x3 blocks
Alarm events	File upload via ftp, E-mail, Notification via email, FTP and TCP
Video buffer	Video buffer 5MB pre-alarm and post-alarm-180sec.
Firmware upgrade	Remote upgrade via network
API	CGI Interface document, ActiveX Interface(ocx(dll) + document)
Physical	
Power Source	DC12V/3A, PoE(Power over Ethernet): 802.3af-Optional
Reset Button	1 x Factory Reset Button
Power Consumption	Max. 11W
Net Weight	1,710g (Ceiling) , 2,160g (Wall)
LED's	Network Connection
Dimension	140(Ø) X 160.3(H)
General	
Operating Temperature	-10 degree~50 degree Celsius(14F~122F)
Storage Temperature	-20 degree~60 degree Celsius(-4F~140F)

Made in Korea