

VNN61181AR

4K Network IR Bullet IP Camera

H.265 (HEVC), H.264

8M Sony Starvis CMOS Sensor

ARM Cortex-A9

Max. 4K (3840 x 2160 @30fps) resolution

Standard POE, Night Vision with Hi-Power IR LED's,

Smart HEVC low bitrate

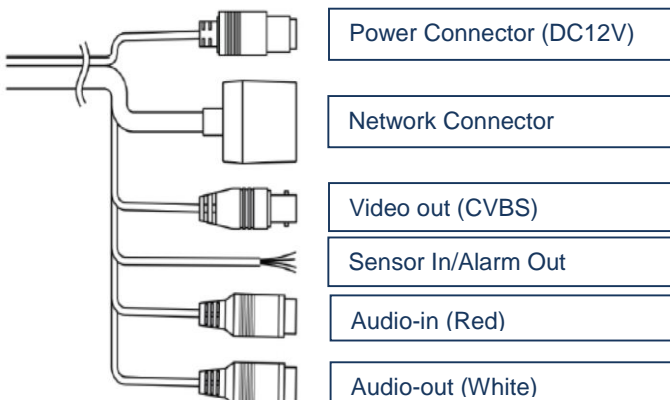


Driving IP-based physical security through global standardization

Key Features

- 8.51 Mega pixel 1/2.5" STAVIS SENSOR
- Perfect tool-free 3-Axis mechanism inside
- Extended IR life span
- Triple Streaming of H.265/HEVC,H.264 and MJPEG
- Supports image resolutions 4K (3840 x 2160@30fps)
- Support IP67
- Supports CBR (constant bit rate) and VBR (variable bit rate) modes
- Supports Tampering-Alarm in VA (video analytics) function.
- Supports IEEE 802.3af Power over Ethernet injectors, mid- and end-spans.

Connectors



Night Vision - Outdoor IR IP Camera Specifications

MODEL	VNN61181AR
System	
CPU	ARM Cortex-A9 (1 GHz, Instruction cache: 32kbyte, data cache: 128kbyte-L2, FPU)
Flash	2Gbit Flash Memory
SDRAM	8Gbit DDR3
Camera	
Image sensor	8.5 Mega 1/2.5" SONY STAVIS progressive scan CMOS
Total Pixels	3864(H) x 2218(V) 8.57 Megapixel
Effective Pixels	3864(H) x 2202(V) 8.51 Megapixel
S/N Ratio	More than 50dB
Min. Illumination	0 Lux (IR On)
IR Distance	30M (4 Built-in Power LED's)
Day & Night	Auto / Color / B/W - ICR Filter Changer
Lens	4.5 mm 4K FIX Board Lens
Video	
Video compression	H.265/HEVC Main Profile Level 5.1 encoding. H.264 High profile @Level 5.1. MJPEG.
Resolutions	Up to 3840 x 2160@30fps
Video streaming	Support multi stream with H.265 - H.264 MJPEG. Adjustable frame rate. VBR/CBR (Smart HEVC low bitrate).
Image setting	Brightness, contrast, Sharpness Day & Night Auto White Balance Auto Exposure Privacy Mask DSS, Effect - Color, Mirror/V-Flip, etc.
Backlight	WDR (Low/Middle/High) / HDR.
Shutter Speed	1/4 ~ 1/2000
Noise Reduction	3 DNR
Audio	
Audio streaming	Two-way, Full-Duplex
Audio compression	G.711 / G.726
Data/Sample Rate	8 ~ 48 KHz.
Audio Input/Output	Microphone input / 1x Line-In, Line-Output / 1x Line-Out.
System Integration	
Security	Password Protection, User access log, HTTPS encryption
Supported protocol	HTTP, HTTPS, DNS, RTSP, RTP, TCP, UDP, ICMP,DHCP, SNMP, IP-FILTER
Intelligent video	Motion detection up with 12x 12 block.
Alarm trigger	Motion detection, External Input (NO/NC Type)
Video buffer	5MB pre-alarm and post-alarm-180sec
Firmware upgrade	Remote upgrade via network
API	CGI Interface document.
Physical	
Power Source	DC12V/1.5A, PoE(Power over Ethernet): 802.3af-Optional
Memory Slot	Micro-SD / SDHC (optional)
Video Output	CVBS: 1.0 Vpp / 75Ω composite.
Power Consumption	Max. 7.6W with IR On (External DC 12V used).
Net Weight	1200g (Camera only)
LED's	Power, Network Connection
Dimension	8(∅) x 125(H) x 247.5(D)
General	
Operating Temperature	-10 degree~50 degree Celsius(14F~122F)
Storage Temperature	-20 degree~60 degree Celsius(-4F~140F)

Made in Korea