

VNN20171XR

5 Megapixel Night Vision Bullet IP Camera

Improved High Power LED's
Compact slim design with quick & easy installation



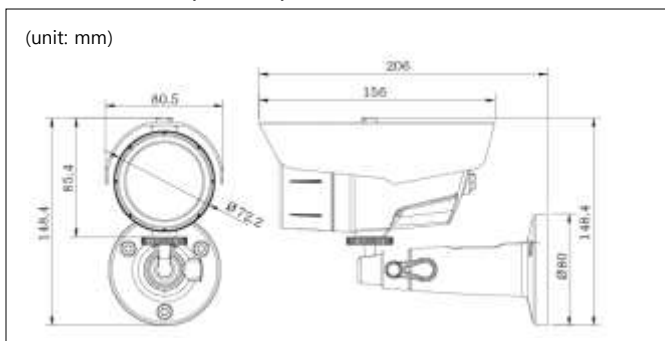
Super-low light sensitivity version



Key Features

- 6.4 Mega pixel 1/1.8" SONY STAVIS progressive scan CMOS image sensor for excellent image quality
- 4mm Wide angle Megapixel Board Lens
- 40M IR Beam Distance (6 Built-in High Power LED's)
- Triple Stream
- Supports image resolution up to 5MP
- 2592(H) x 1944(V) 5MP Max. 15fps
- Supports VBR/CBR in H.264
- Controllable frame rate
- Supports WDR, Defog, 2D+3DNR, Smart IR
- Digital PTZ
- Corridor view in H.264
- Tool-Free 3-Axis
- 12VDC/ IEEE802.3af POE
- Conformant with ONVIF (Profile-S)
- Includes Windows based IP Installer and license-free 16 channel NVR(Network Video Recorder) software

Dimensions (Unit :mm)



IP Night Vision – Bullet camera

Specifications

MODEL	VNN20171XR
System	
CPU	ARM1176JZF-S (400 MHz, Instruction cache: 32kbyte, data cache)
Flash	2Gbit Flash memory
SDRAM	2Gbit DDR3
Camera	
Image sensor	6.4 Mega 1/1.8" SONY STAVIS progressive scan CMOS
Total Pixels	3096(H) x 2094(V) 6.48 Megapixel
Effective Pixels	3089(H) x 2064(V) 6.38 Megapixel
S/N Ratio	More than 50dB
Min. Illumination	0 Lux (IR On)
IR Distance	40M (6 Built-in Power LED's)
Day & Night	ICR
Lens	4.0mm Wide angle Megapixel Board Lens
Video	
Video compression	H.264 High Profile, MJPEG
Resolutions	Up to 2592 x 1944 5MP
Frame rate	Triple Stream 1 st stream: 15fps@2592 x 1944 2 nd stream: 30fps@640 x 480 3 rd stream: 30fps@640x480
Video streaming	Triple stream with H.264/MJPEG, Adjustable frame rate, CBR/VBR in H.264
Pan/Tilt/Zoom	Digital PTZ
Corridor view	Corridor view in H.264 (90degree/ 270degree)
Image setting	Brightness, contrast, Sharpness Day & Night Auto White Balance Auto Exposure Privacy Mask DSS, Effect - Color, Mirror/V-Flip, etc.
System Integration	
Security	Password Protection, User access log, HTTPS encryption
Supported protocol	HTTP, HTTPS, FTP, SMTP, UPnP, DNS, DDNS, NTP, RTSP, RTP, TCP, UDP, ICMP, DHCP
Intelligent video	Object based Motion detection up with 12x 12 block Tamper detection with Global scene change and defocus.
Alarm events	File upload via ftp, E-mail, Notification via email, SD Card.
Video buffer	5MB pre-alarm and 180 sec (max) post-alarm
Firmware upgrade	Remote upgrade via network
API	CGI Interface document, ActiveX Interface(ocx(dll) + document)
Physical	
Power Source	DC12V/1.5A, PoE(Power over Ethernet): 802.3af-Optional
Power Consumption	Max. 5W with IR
Net Weight	520g
LED's	Power, Network Connection
Dimension	76mm(Dia. Ø) x187mm
General	
Operating Temperature	-10 degree~50 degree Celsius(14F~122F)
Storage Temperature	-20 degree~60 degree Celsius(-4F~140F)
Software	
Included Software	NVR C/S (16 Channel), IP Installer (Windows only)

* Specifications are subject to change without prior notice.

Made in Korea