

Technical Specifications

Full HD Dome IP Camera

FOR INTERNAL/EXTERNAL APPLICATIONS

- Full HD 1080p 30fps
- H.264 and MJPEG compression
- True Day/Night and WDR
- 3x optical zoom lens
- Remote zoom and focus
- Embedded VCA Technology Video Analytics
- MicroSD/SDHC memory card slot
- Power over Ethernet (IEEE 802.3af)



CAMERA	
Model	VCA3502: Outdoor, Motorized Focus & Zoom lens
Image Sensor	SONY EXMOR 1/2.9" 1080p CMOS
Effective Pixels	1920 x 1080
Scanning System	Progressive scanning
AGC Control	Auto
Auto IRIS (DC)	Supported
Minimum Illumination	Color: 0.5Lux / B/W : 0.001Lux (DSS ON)
Lens	3.0(w) – 9.0mm(t), F1.2(w) – F2.1(t), Optical 3x
Angle of View	Horizontal: Approx. 93°(Wide) to 31.7°(Tele) Vertical: Approx.68.4°(Wide) to 23.8°(Tele)
Shutter Time	1/10,000s to 1/2s
Day & Night	True Day & Night (Removable IR-cut filter)
Wide Dynamic Range	Digital WDR

VIDEO	
Video Compression	H.264 Baseline, Main, High profile(MPEG-4 Part 10/AVC), MJPEG(Motion JPEG)
Video Streaming	Dual Stream, Configurable streams in H.264, MJPEG H.264: Controllable frame rate, bandwidth(VBR/CBR) MJPEG: Controllable frame rate, JPEG quality
Resolutions	16:9 mode 1920 x 1080, 1280 x 720, 1120 x 630, 960 x 540, 800 x 450, 640 x 360, 480 x 270, 320 x 180
	4:3 mode* SXGA(1280x960), XGA(1024x768), SVGA(800x600), PAL(720x576), NTSC(720x480), VGA(620x480), QVGA(320x240)
Frame Rate	H.264: Max 30fps in all resolutions MJPEG: Max 30fps in all resolutions
Image Settings	Configurable brightness, contrast, saturation, sharpness
Image Orientation	Flip / Mirror / Corridor Mode(-90°, +90°)
Noise Filter	Supported (0 ~ 3)
Defogging*	Supported
Smart Bitrate Control	Supported (It works in VBR mode)
Exposure Adjustment	+1.0, +0.6, +0.3, 0, -0.3, -0.6, -1.0 EV
White Balance	ATW1 / ATW2 / Push / Manual
Back Light Compensation	On(possible to designate zone) / Off
Flicker Control	Normal, 50Hz, 60Hz
DSS (Sens-up)	2X ~ 16X
Video Stabilization	Supported
Burnt-in Text	Time stamp and text caption overlay
Privacy Mask	4 configurable regions
Analogue Output	NTSC / PAL

AUDIO	
Audio Streaming	Two-way
Audio Compression	G.711-uLaw

Audio input / output	Supported
----------------------	-----------

NETWORK	
Ethernet Standard	10 / 100 Base-T
IP	IPv4, IPv6
Protocol	QoS Layer 3 DiffServ, TCP/IP, UDP/IP, HTTP, HTTPS, FTP, RTSP, RTCP, RTP/UDP, RTP/TCP, mDNS, UPnP™, SMTP, DHCP, DNS, DynDNS, NTP, SNMPv1/v2c/v3(MIB-II), IGMP, ICMP, SSLv2/v3, TLSv1, SRTP*, RTMP*
Security	HTTPS(SSL), IP Filtering, Multi-level access with password protection
Users	Live viewing for up to 10 clients

INTEGRATION	
Application Programming Interface	Software Development Kit(SDK) available
ONVIF Compliance	Profile S, Profile G
Event Sources	Sensor(DI); Alarm(DO); Video Motion Detection; Face Detection*; Tamper Detection; Video Content Analytics(VCA); Network Loss/Detect; Network Setting Change; Time(Recurrence/Schedule); Storage Error*
Event Actions	File upload: E-mail, FTP Notification: E-mail, FTP, HTTP, TCP Trigger-Alarm(DO) Recording Event Log Saving
Event Metadata Streaming (RTSP/RTP)	Video Motion Detection(MD); Video Content Analytics(VCA)

GENERAL	
Material	Aluminum, Anti-vandal bubble (PC); Ivory
External I/O Terminals	1x Alarm In, 1x Alarm Out
Language on webpage	Korean, English, Chinese
Power Source / Consumption	DC 12V, PoE / 9W @ DC 12V
Operating Temperature	Humidity up to 85% RH (non-condensing) [DC12V] -40°C ~ 50°C (-40°F ~ 122°F); [PoE] -20°C ~ 50°C (-4°F ~ 122°F); Built-in heater
Lowest Temperature for device's start-up***	[DC12V] -30°C (-22°F) [PoE] 0°C (32°F)
Approvals	FCC, CE, KC, IP66, IK10
Weight	1.2kg (2.64 lbs)

EDGE STORAGE	
Storage	1x MicroSD/MicroSDHC memory card slot (SD/SDHC up to 32GB, card not included)**
Continuous Recording	Instant recording; Search & Download
Event Recording	Search of Event Logs; Playback; Download

VIDEO ANALYTICS	
Analytics Engine	VCA Technology's advanced tracking algorithm with rich

*Supported in FW V1.10.0.7 or the above

**Class4 or higher SD cards are recommended for HD recordings.

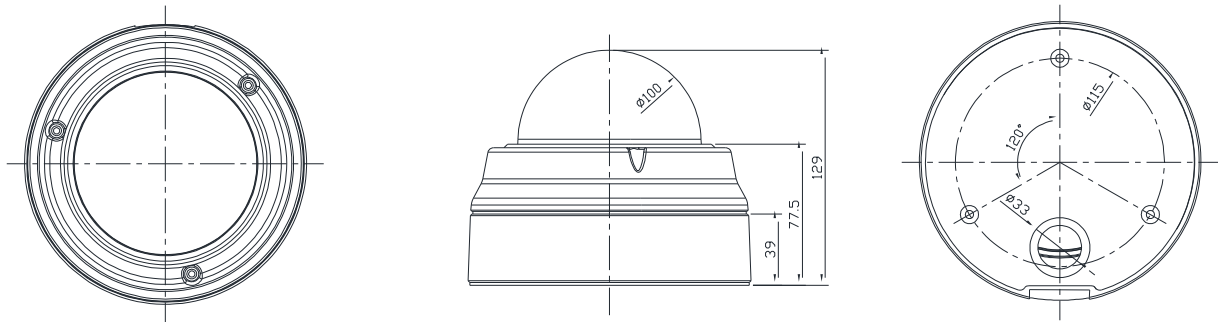
***The internal heater will operate to boot the device, which approximately takes 1-3 minutes.

Technical Specifications

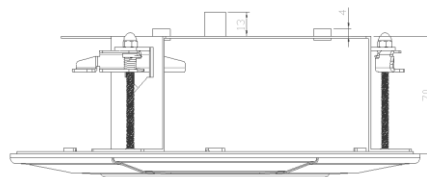
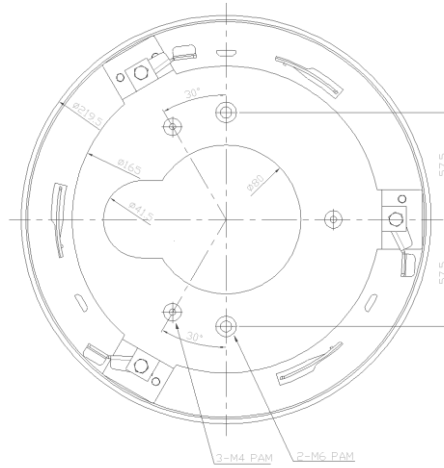
	library of detection behaviors	3D Behavior	Perspective Corrected Size and Speed Filter
Detection Zones and Rules	40 zones (Multi-segment Polygons and Lines) in total 60 rules in total	Object Classification	Configured Max./Min. object sizes and Max./Min. speeds
Tamper Detection	Supported	People Tracking	Tracks individuals separately among overlapped multiple people
Auto Tracking	-	Counting Line	High accuracy people and vehicle counting
VCA Preset	-	Counting	20 counters in total
Detection Behavior	Enter, Exit, Appear, Disappear, Stop, Direction, Dwell, Tailgating, Color Filter	Counter Report	Generates counter reports based on the counter database
Logical Rules	Extends standard rules to allow various combinations of the inputs	Heatmap Report*	Shows relative crowd density of the 24 hour period (criterion: midnight)
		Meta Data	Plain XML Format

Dimensions (Unit: mm)

[Outdoor]

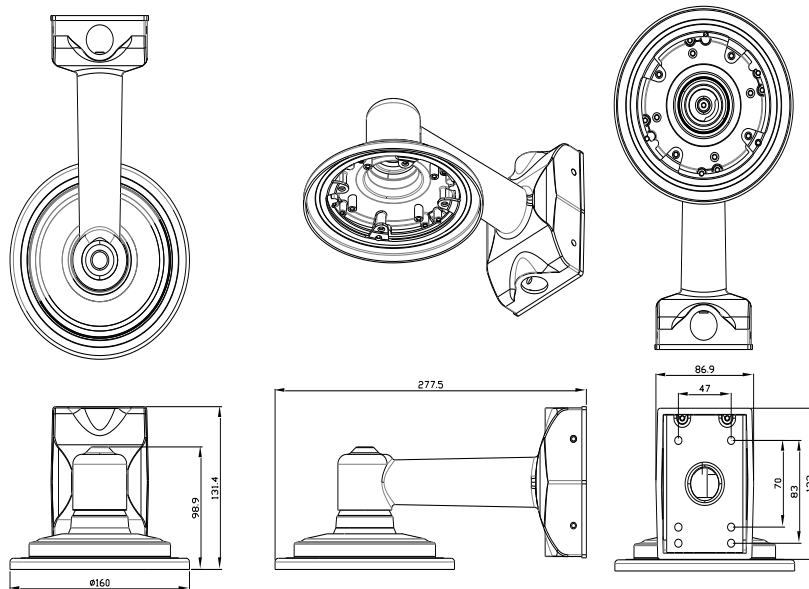


Accessories



Flush Mount Bracket

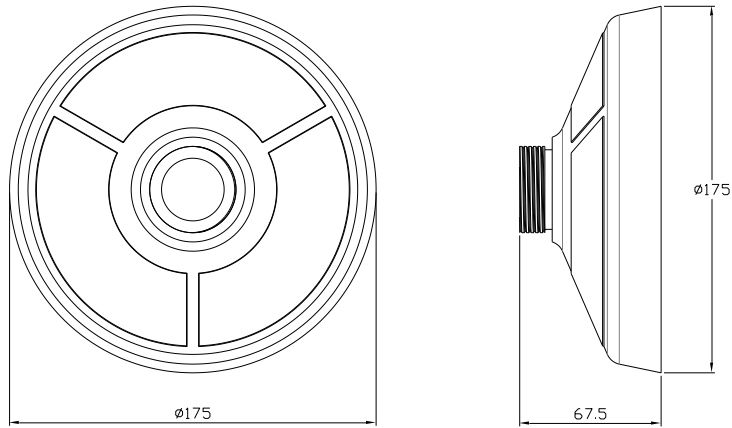
Model: FMB-3502
Weight: 400g(0.9lb)



Wall Mount Bracket

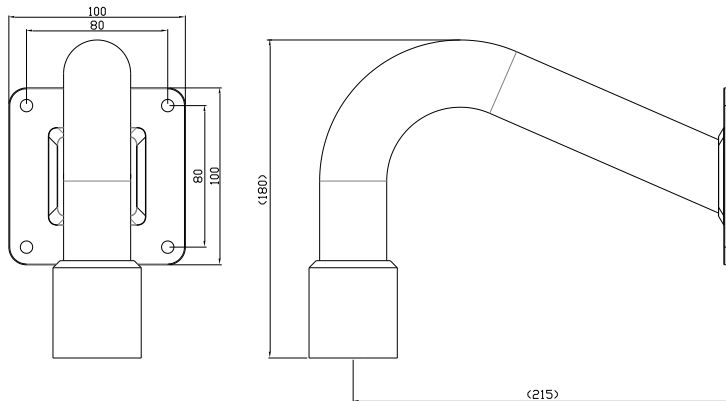
Model: WMB-3000
Weight: 1kg(2.2lb)

Accessories



Pendant Mount Cap

Model: PMC-3000
Weight: 427g(0.94lb)

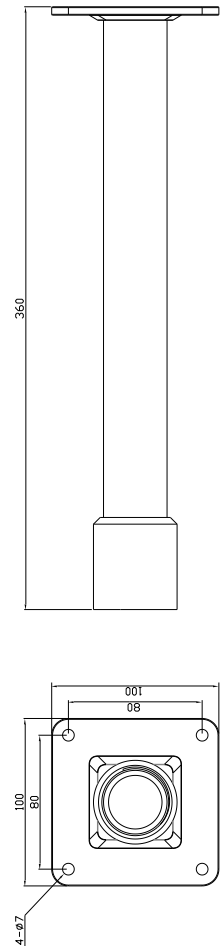


Wall Mount Bracket

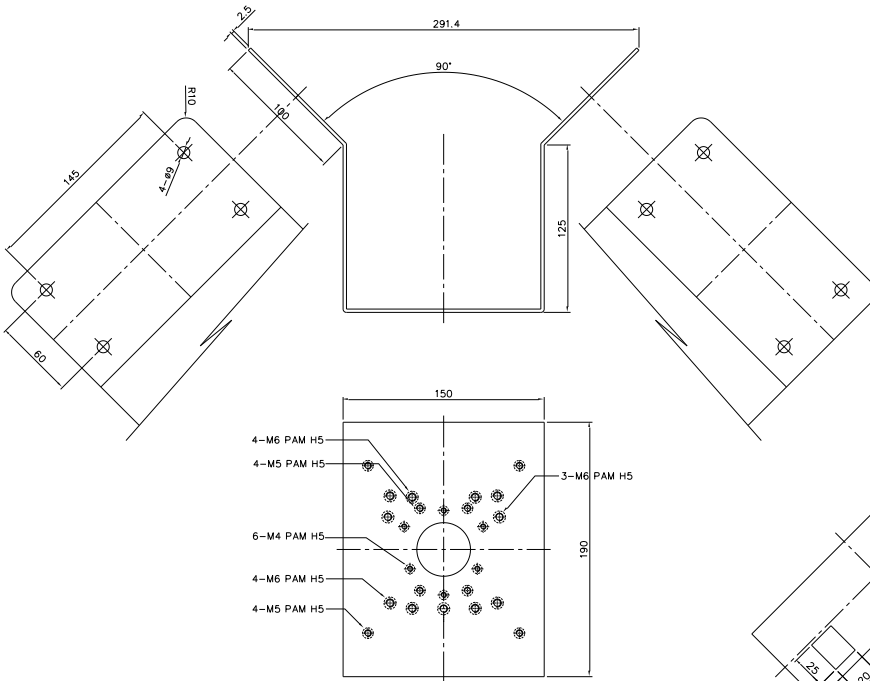
Model: WMB-3000P
Weight: 430g(0.95lb)

Ceiling Mount Bracket

Model: CMB-3000P
Weight: 437g(1.0lb)

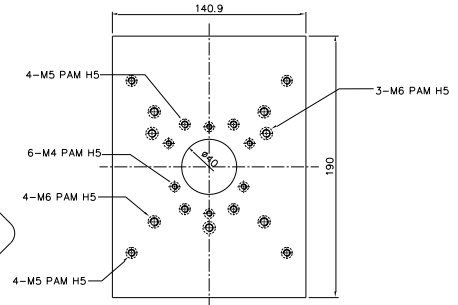


Accessories



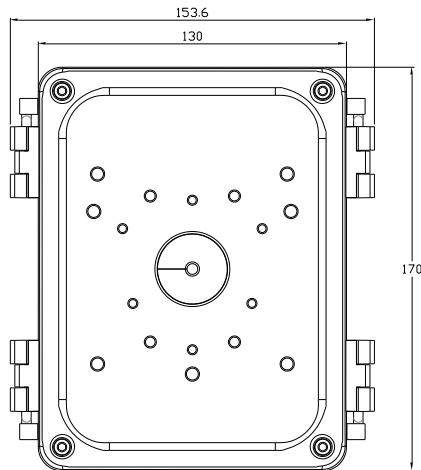
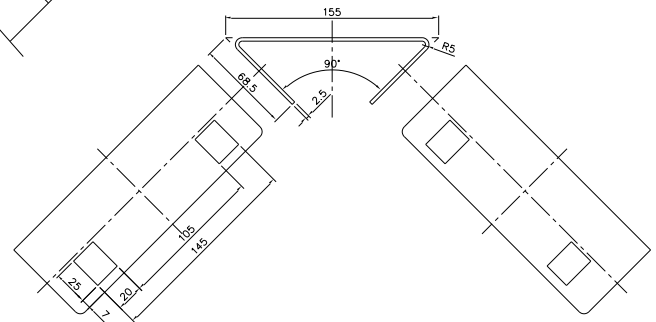
Corner Mount Adaptor

Model: CMA-U100
Weight: 2,283g(5.0lb)



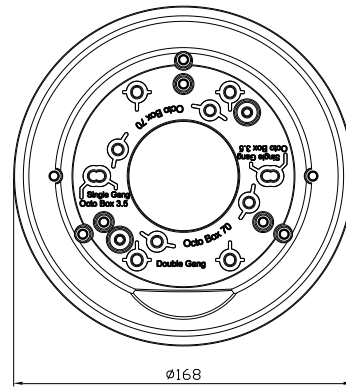
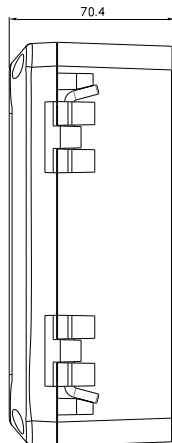
Pole Mount Adaptor

Model: PMA-U100
Weight: 946g(2.1lb)



Junction Box Kit

Model: JBK-U100
Weight: 1,011.5g(2.2lb)



Gang Box Adaptor

Model: GBA-3000
Weight: 91g(0.2lb)

