

## Corner Mount Adapter

CM100 is a corner mount adapter for use with a wall mount bracket allowing VPD PTZ series, VDA series camera to be mounted on the corner of a building, esp. capable of looking down both sides of the building with PTZ control.

### Applied Camera models;

VPD3XX series  
VPD2XX series  
VPD1XX series

VDA1XX series  
VDA8X series

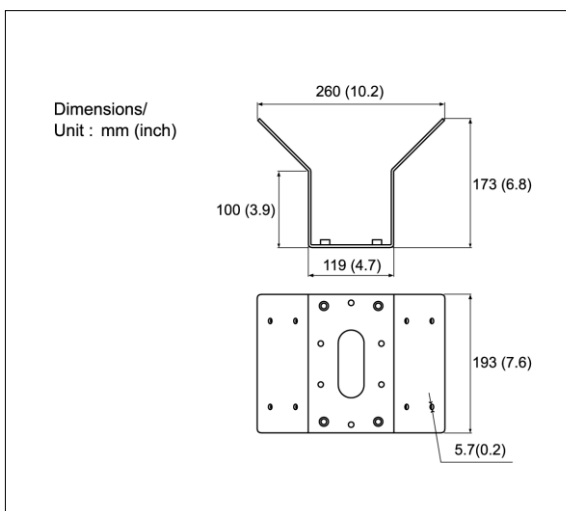
### Part configuration;

Model No.	CM-100
Body Construction	Aluminum
Mounting type	Corner
Measurement(mm)	260(W) x193(H) x173(D)
Weight(Approx. g)	3,000g



Product image

### Dimension (mm)



### Installation

